

STATE WHEN ORDERING

Surface treatment

- Silver anodized
- Special anodized
- RAL
- Special powder coating

Cover end plates

- BK
- SI
- Basic
- Fire door
- Connection box
- Connection plug

Options see layers

- Cover Standard
- Cover Full length, CL = mm
- R = mm
- S = mm

If R or S is set to "0", no cutouts will be made.

- ∅ 1 = Hinges
- ∅ 2 = Operator drive shaft
- A = Reveal -20mm to 130mm
- 1 = Cable inlet
- 2 = Reinforcements required

Z	Shaft extension
48	0
68	20
98	50
118	70

Customer: _____

Door id: _____

Project No: _____

Ref: _____

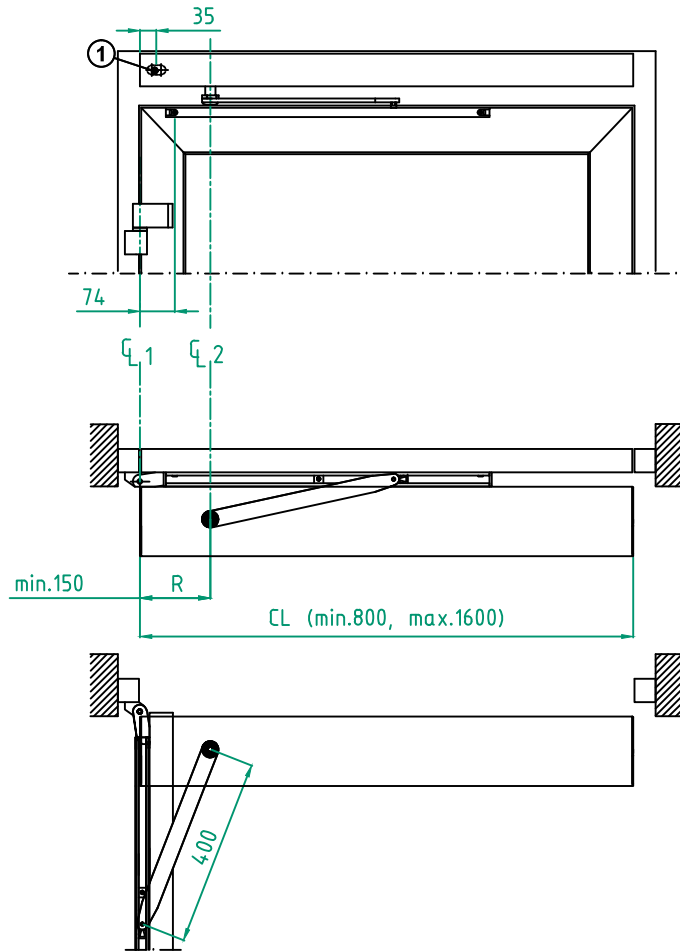
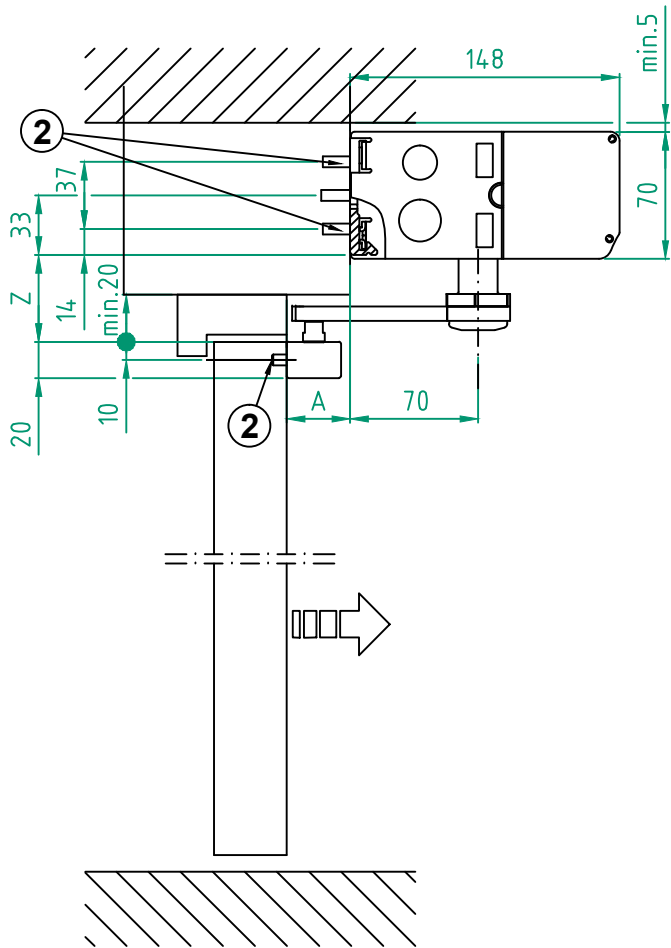
Date: _____

Sign: _____

Swing door operator
 ASSA ABLOY SW300-1 (Art. No. 1009168)
 ASSA ABLOY SW150-1 (Art. No. 1009169)
 PULL, DIN Left

ASSA ABLOY

18.0 1009168-en



STATE WHEN ORDERING

Surface treatment

- Silver anodized
- Special anodized
- RAL
- Special powder coating

Cover end plates

- BK
- SI
- Basic
- Fire door
- Connection box
- Connection plug

Options see layers

- Cover Standard
- Cover Full length, CL = mm
- R = mm
- S = mm

If R or S is set to "0", no cutouts will be made.
 Note! No space for battery if R/S<192

- ☞ 1 = Hinges
- ☞ 2 = Operator drive shaft
- A = Reveal -20mm to 130mm
- 1 = Cable inlet
- 2 = Reinforcements required

Z	Shaft extension
48	0
68	20
98	50
118	70

Customer: _____

Door id: _____

Project No: _____

Ref: _____

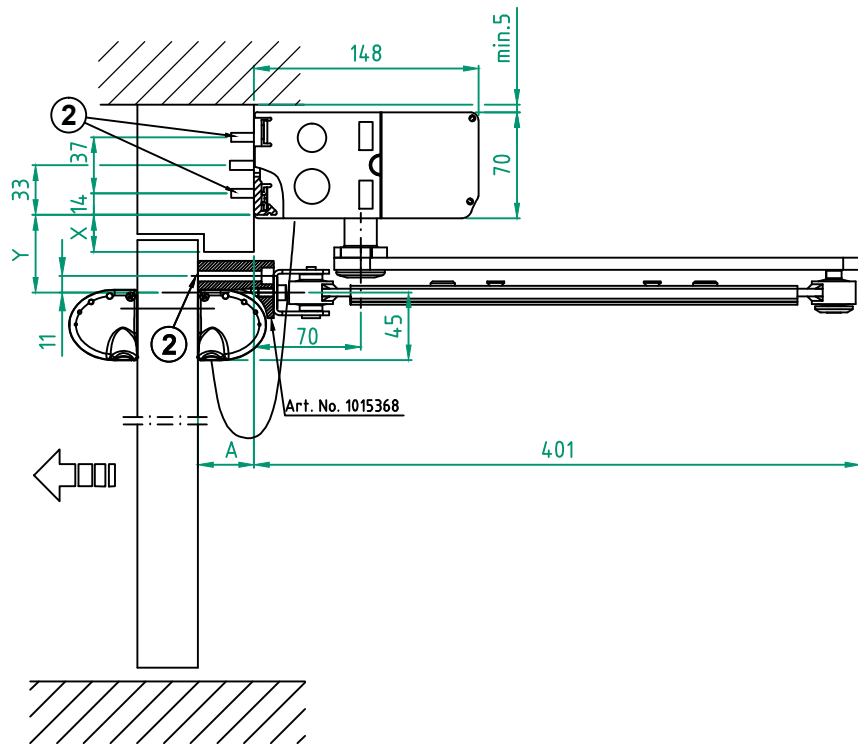
Date: _____

Sign: _____

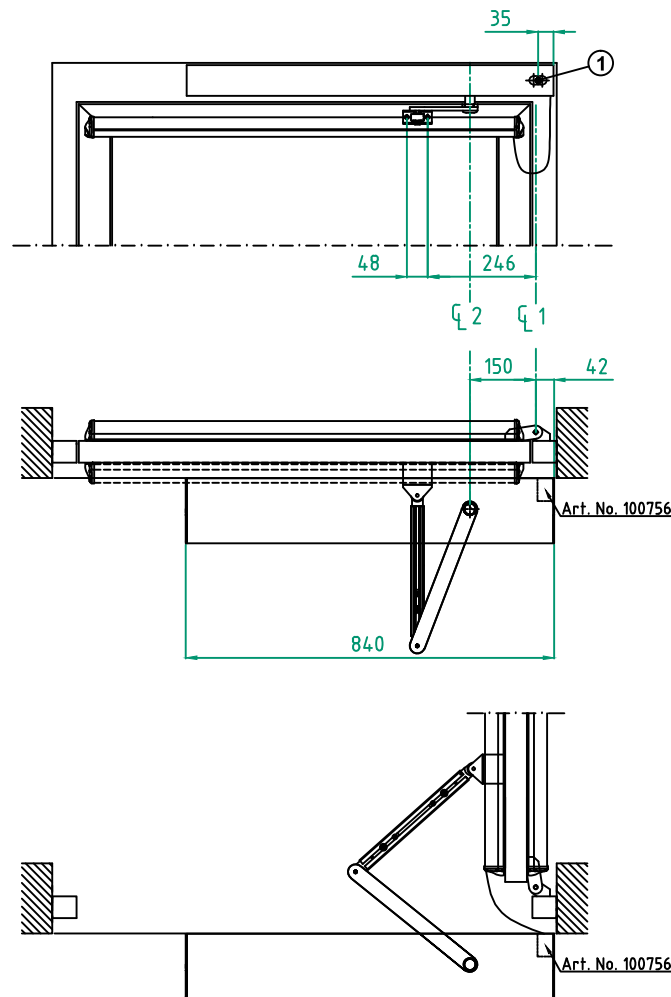
Swing door operator
 ASSA ABLOY SW300-1 (Art. No. 1009168)
 ASSA ABLOY SW150-1 (Art. No. 1009169)
 PULL arm with shorty cover, DIN Left

ASSA ABLOY

18.0 1009168-en



Extension	A
0	0-22
345	22-137
230+joint part	137-252
345+230+joint part	252-367



STATE WHEN ORDERING

Surface treatment

- Silver anodized
- Special anodized
- RAL
- Special powder coating

Cover end plates

- BK
- SI

- Basic
- Fire door
- Connection box
- Connection plug

Options see layers

- Cover Standard
- Cover Full length, CL = mm
- R = mm
- S = mm

If R or S is set to "0", no cutouts will be made.

- ☞ 1 = Hinges
- ☞ 2 = Operator drive shaft

- 1 = Cable inlet
- 2 = Reinforcements required

X	Y	Shaft extension
2-25	51	0
25-45	71	20
45-75	101	50
75-95	121	70

Customer: _____

Door id: _____

Project No: _____

Ref: _____

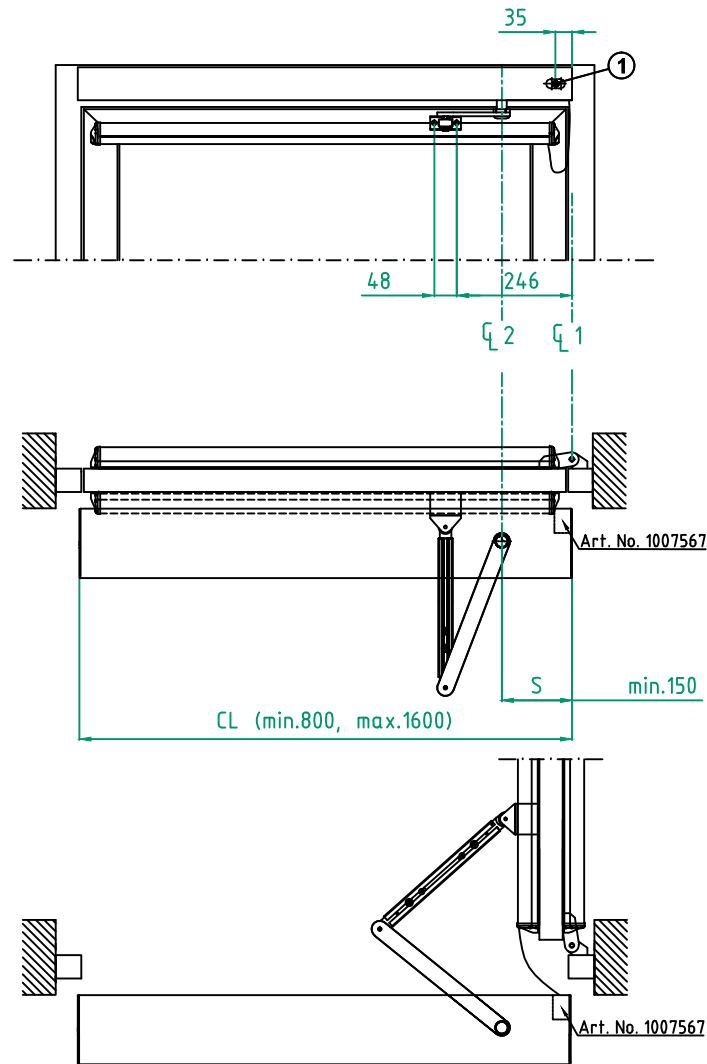
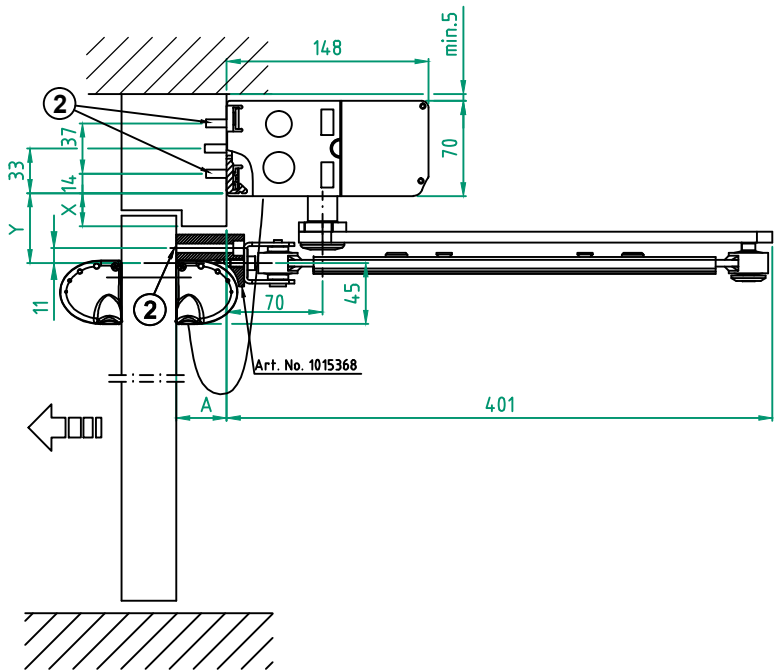
Date: _____

Sign: _____

Swing door operator
 ASSA ABLOY SW300-1 (Art. No. 1009168)
 ASSA ABLOY SW150-1 (Art. No. 1009169)
 PUSH, DIN Left

ASSA ABLOY

18.0 1009168-en



STATE WHEN ORDERING

Surface treatment

- Silver anodized
- Special anodized
- RAL
- Special powder coating
-

Cover end plates

- BK
- SI

- Basic
- Fire door
- Connection box
- Connection plug

Options see layers

- Cover Standard
- Cover Full length, CL = mm
- R = mm
- S = mm

If R or S is set to "0", no cutouts will be made.
 Note! No space for battery if R/S<192

- ⌀ 1 = Hinges
- ⌀ 2 = Operator drive shaft
- A = Reveal -20mm to 130mm
- 1 = Cable inlet
- 2 = Reinforcements required

Z	Shaft extension
48	0
68	20
98	50
118	70

Customer: _____

Door id: _____

Project No: _____

Ref: _____

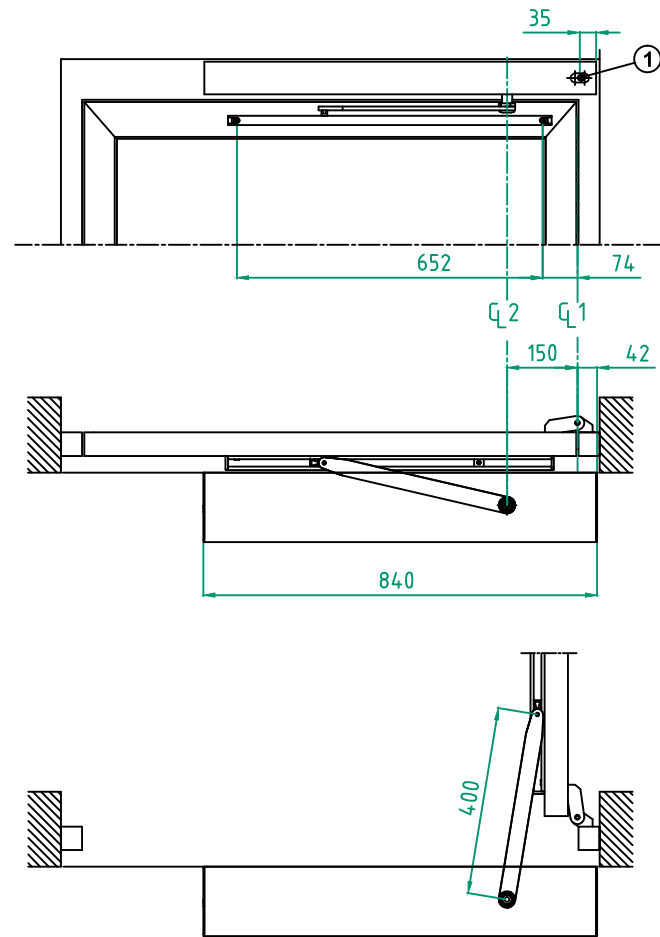
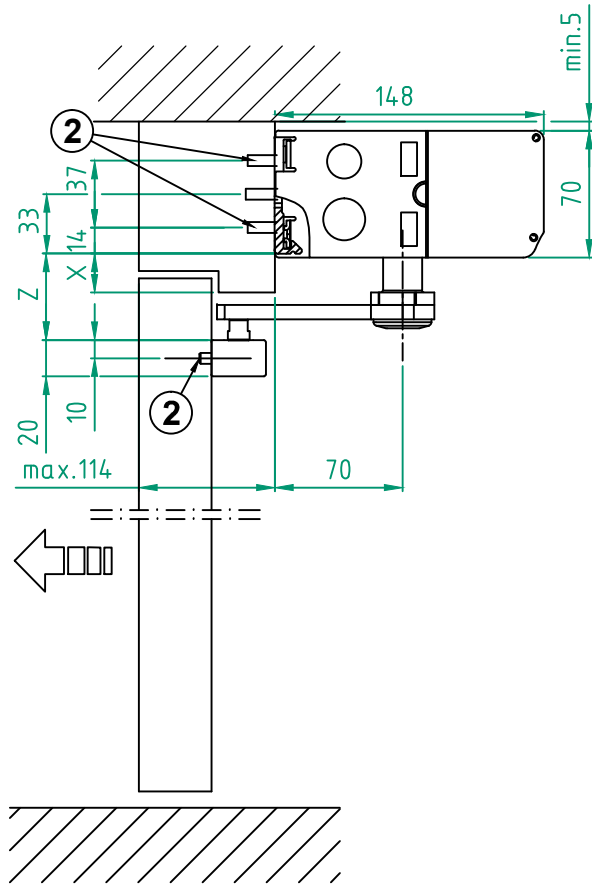
Date: _____

Sign: _____

Swing door operator
 ASSA ABLOY SW300-1 (Art. No. 1009168)
 ASSA ABLOY SW150-1 (Art. No. 1009169)
 PUSH arm with shorty cover, DIN Left

ASSA ABLOY

18.0 1009168-en



STATE WHEN ORDERING

Surface treatment

- Silver anodized
- Special anodized
- RAL
- Special powder coating

Cover end plates

- BK
- SI
- Basic
- Fire door
- Connection box
- Connection plug

Options see layers

- Cover Standard
- Cover Full length, CL = mm
- R = mm
- S = mm

If R or S is set to "0", no cutouts will be made.

- ⌀ 1 = Hinges
- ⌀ 2 = Operator drive shaft

- 1 = Cable inlet
- 2 = Reinforcements required

X	Z	Shaft extension
2-25	48	0
25-45	68	20
45-75	98	50
75-95	118	70

Customer: _____

Door id: _____

Project No: _____

Ref: _____

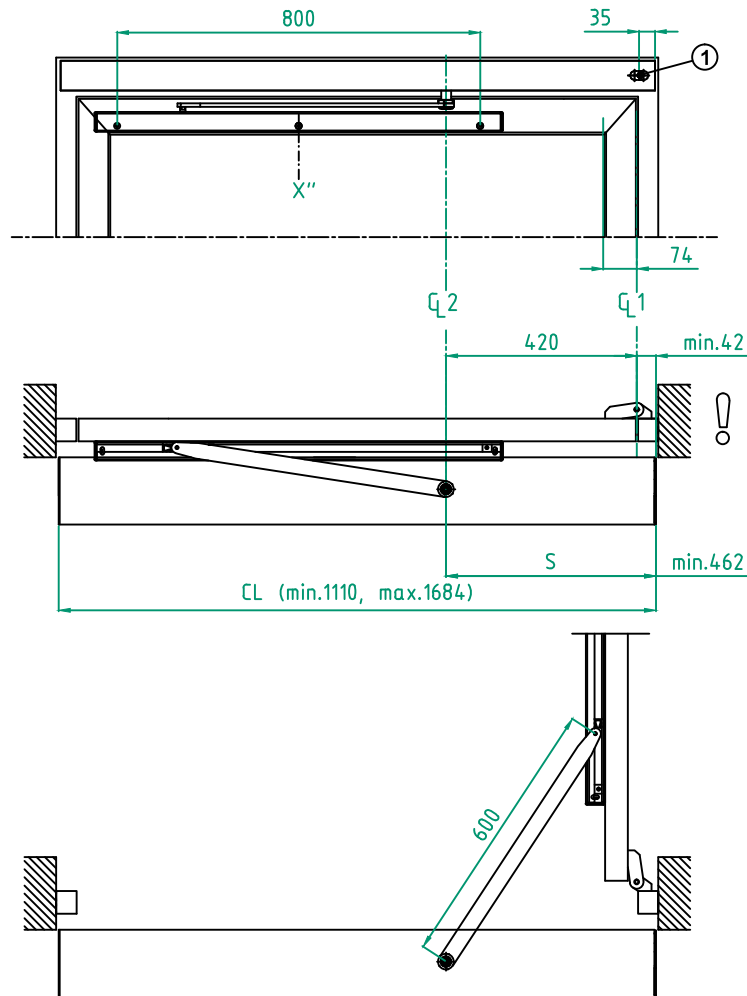
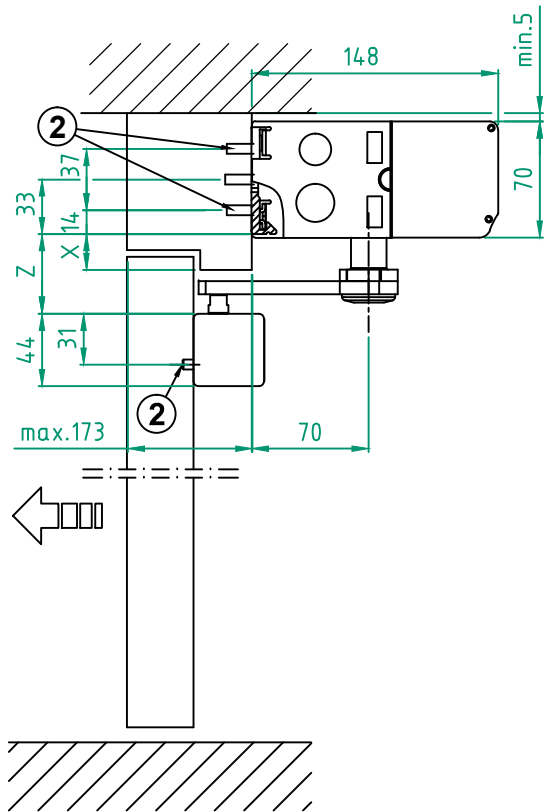
Date: _____

Sign: _____

Swing door operator
 ASSA ABLOY SW300-1 (Art. No. 1009168)
 ASSA ABLOY SW150-1 (Art. No. 1009169)
 Sliding PUSH-PULL-400, DIN Left

ASSA ABLOY

18.0 1009168-en



STATE WHEN ORDERING

Surface treatment

- Silver anodized
- Special anodized
- RAL
- Special powder coating

Cover end plates

- BK
- SI
- Basic
- Fire door
- Connection box
- Connection plug

Options see layers

- Cover Full length, CL = mm
 - R = mm
 - S = mm
- If R or S is set to "0", no cutouts will be made.

- C 1 = Hinges
- C 2 = Operator drive shaft
- A = Reveal -20mm to 230mm
- X" = Center of the sliding block movement
- 1 = Cable inlet
- 2 = Reinforcements required

Note1! Low speed distance and closing will increase.
 Max. door opening = 100°
 Min. door width = 1200 mm
 Note2! Dip switch 6 = OFF and 7 = OFF
 Note3! Choose Extended arm selection level 5 any status number 9-16

Z	Shaft extension
48	0
68	20
98	50
118	70

Customer: _____

Door id: _____

Project No: _____

Ref: _____

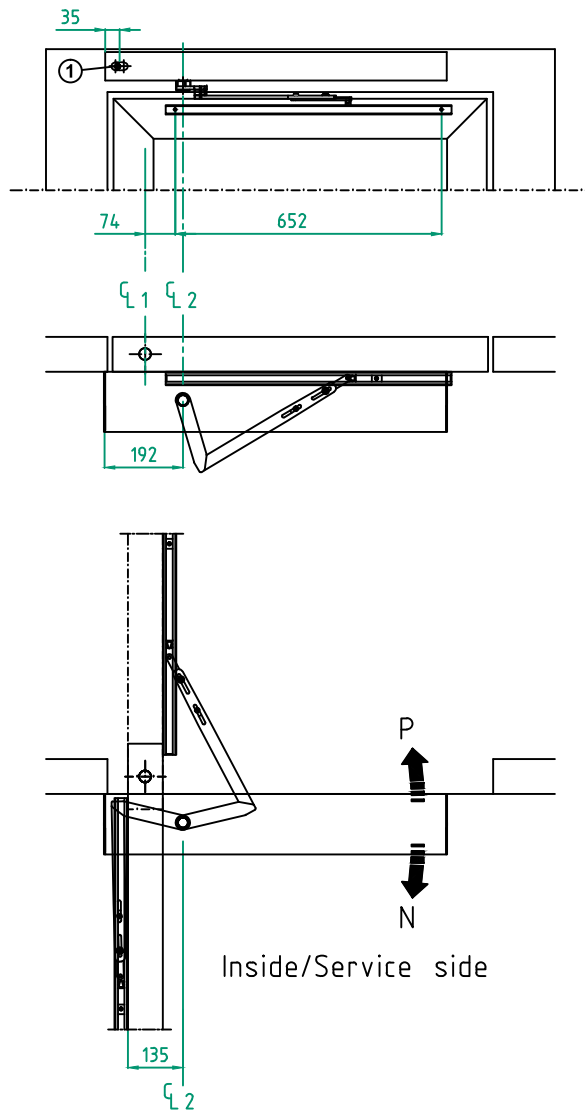
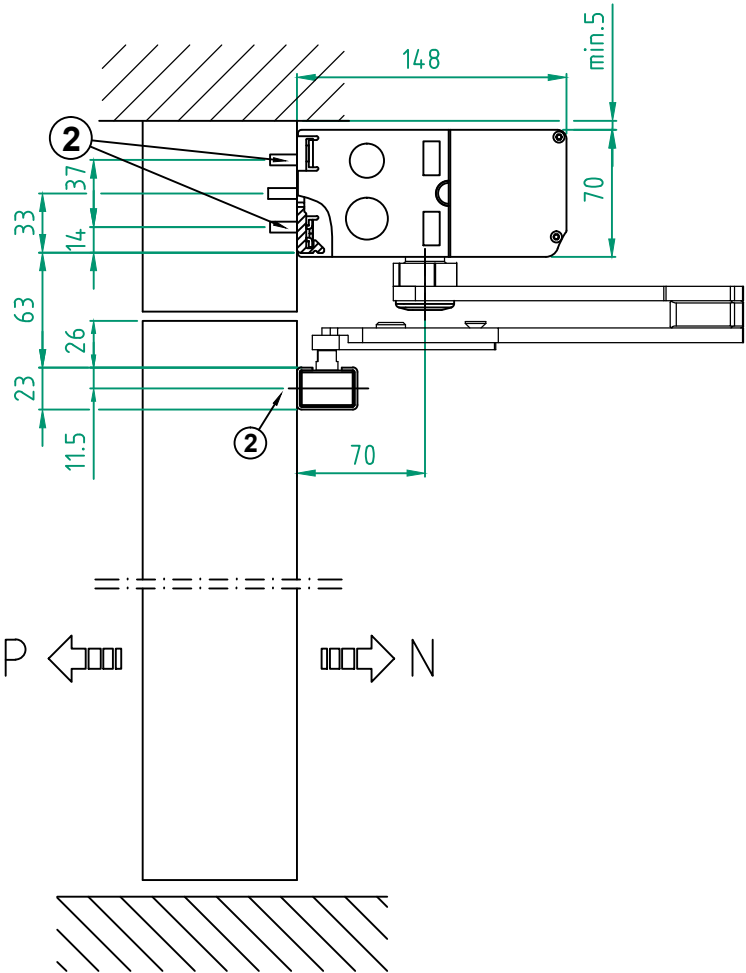
Date: _____

Sign: _____

Swing door operator
 ASSA ABLOY SW300-1(Art. No. 1009168)
 ASSA ABLOY SW150-1(Art. No. 1009169)
 Sliding PUSH_PULL-600, DIN Left

ASSA ABLOY

18.0 1009168-en



STATE WHEN ORDERING

Surface treatment

- Silver anodized
- Special anodized
- RAL
- Special powder coating

Cover end plates

- BK
- SI
- Basic
- Fire door
- Connection box
- Connection plug

- C1 Pivot point
- C2 Operator drive shaft
- 1 Cable inlet
- 2 Reinforcements required
- N Normal opening direction
- P Break-out direction

Customer: _____

Door id: _____

Project No: _____

Ref: _____

Date: _____

Sign: _____

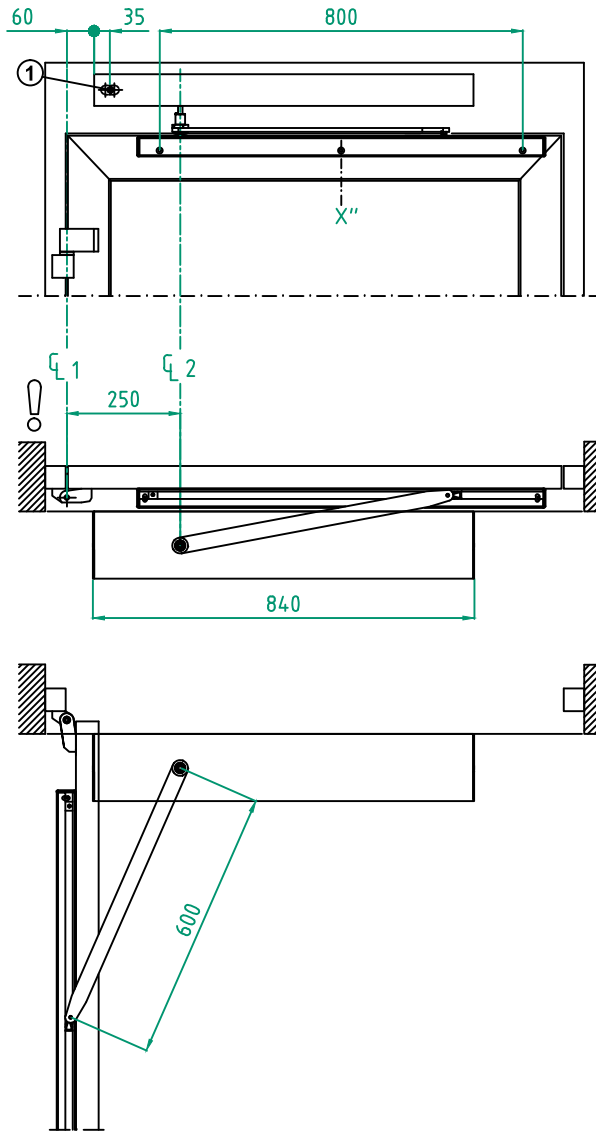
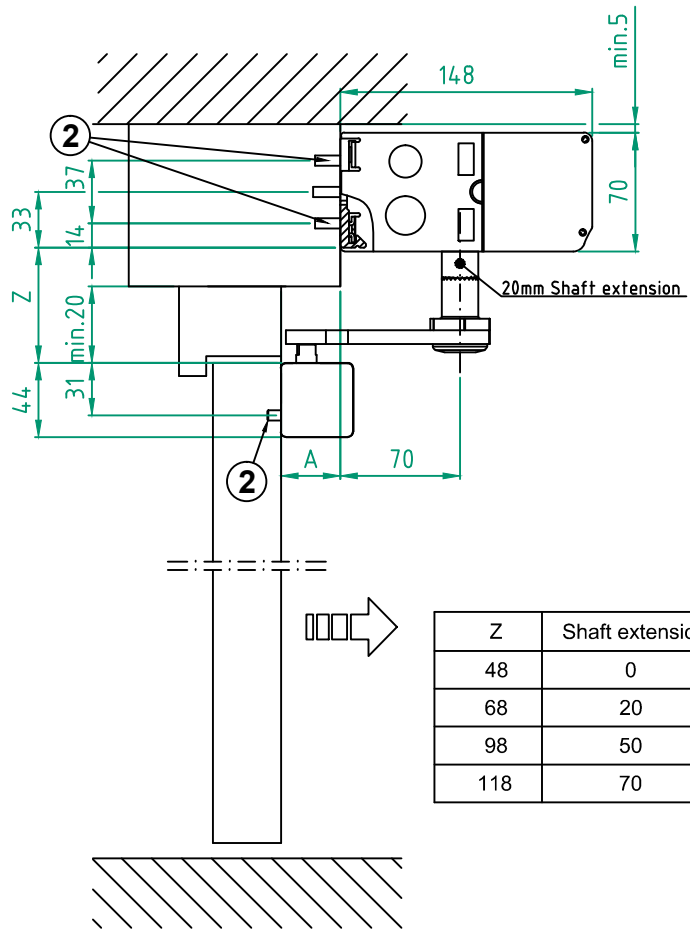
Swing door operator
 ASSA ABLOY SW300-1 (Art. No. 1009168)

Arm system Double Acting, DIN Left

ASSA ABLOY

18.0

1009168-en



STATE WHEN ORDERING

Surface treatment

- Silver anodized
- Special anodized
- RAL
- Special powder coating
-

Cover end plates

- BK
- SI

- Basic
- Fire door
- Connection box
- Connection plug

Options see layers

- Cover Standard
- Cover Full length, CL = mm
 R = mm
 S = mm

If R or S is set to "0", no cutouts will be made.

- ☞ 1 = Hinges
 - ☞ 2 = Operator drive shaft
 - A = Reveal -20mm to 230mm
 - X" = Center of the sliding block movement
 - 1 = Cable inlet
 - 2 = Reinforcements required
- Note1! Low speed distance and closing will increase.
 Max. door opening = 110°
 Min. door width = 1050 mm

Note2! Choose Extended arm selection level 5 any status number 9-16

Note3! Dip switch 6=ON and 7=OFF

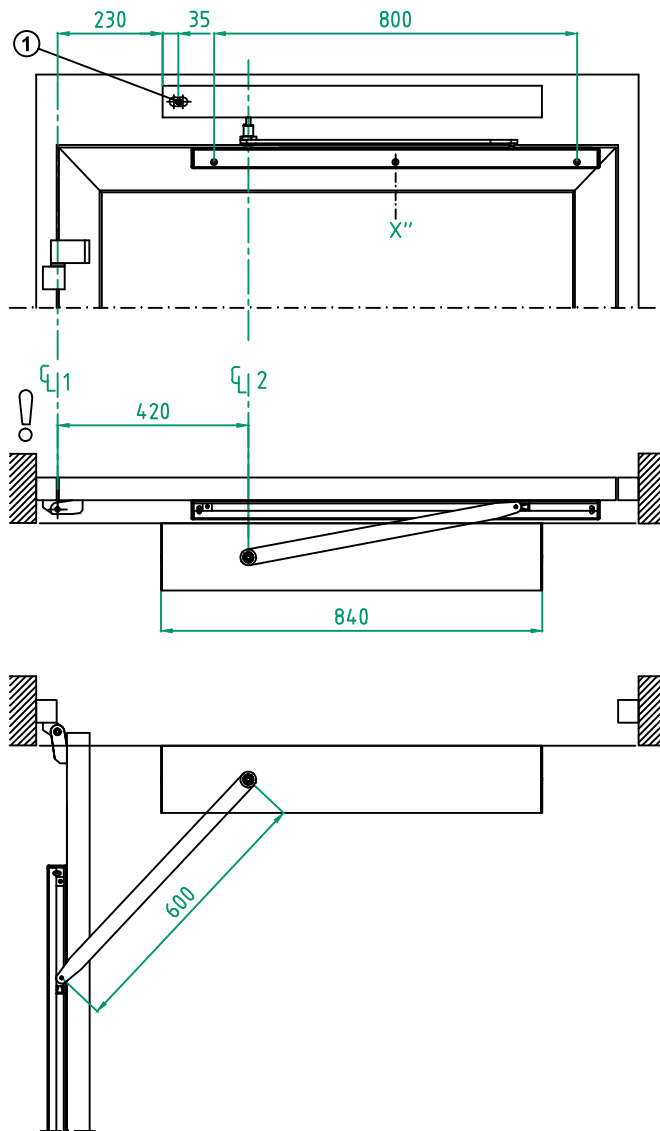
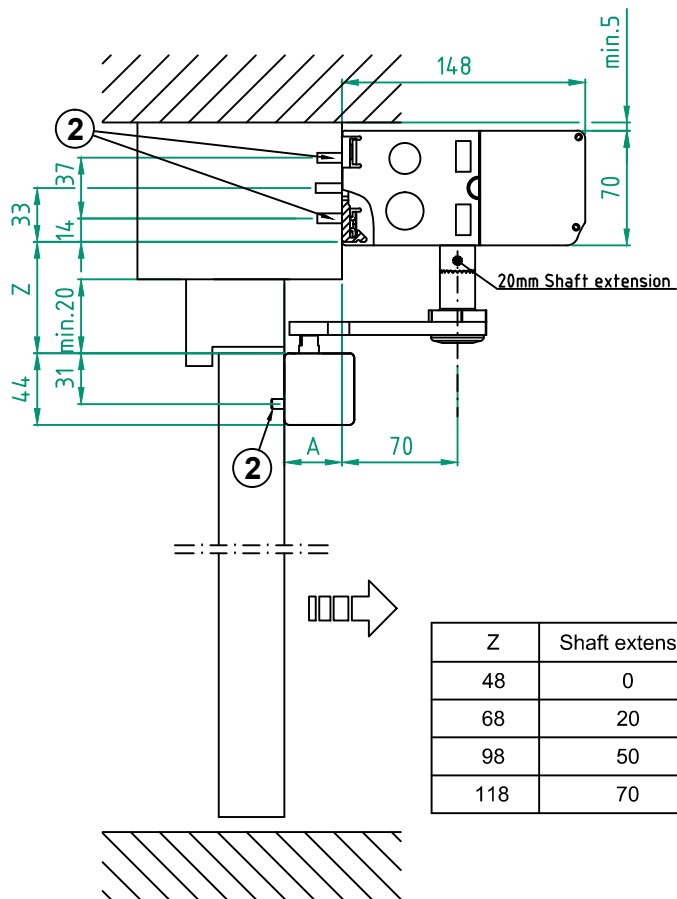
Customer: _____
 Door id: _____
 Project No: _____

Ref: _____
 Date: _____
 Sign: _____

Swing door operator
 ASSA ABLOY SW300-1 (Art. No. 1009168)
 ASSA ABLOY SW150-1 (Art. No. 1009169)
 PULL-600 250, DIN Left

ASSA ABLOY

18.0 1009168-en



STATE WHEN ORDERING

Surface treatment

- Silver anodized
- Special anodized
- RAL
- Special powder coating

Cover end plates

- BK
- SI

- Basic
- Fire door
- Connection box
- Connection plug

Options see layers

- Cover Standard
 - Cover Full length, CL = mm
 R = mm
 S = mm
- If R or S is set to "0", no cutouts will be made.

- ⌀ 1 = Hinges
- ⌀ 2 = Operator drive shaft
- A = Reveal -20mm to 230mm
- X'' = Center of the sliding block movement
- 1 = Cable inlet
- 2 = Reinforcements required

Note1! Low speed distance and closing will increase.
 Max. door opening = 100°
 Min. door width = 1200 mm

Note2! Choose Extended arm selection level 5 any status number 9-16

Note3! Dip switch 6=OFF and 7=ON

Customer: _____

Door id: _____

Project No: _____

Ref: _____

Date: _____

Sign: _____

Swing door operator
 ASSA ABLOY SW300-1 (Art. No. 1009168)
 ASSA ABLOY SW150-1 (Art. No. 1009169)
 PULL-600 420, DIN Left

ASSA ABLOY

18.0 1009168-en