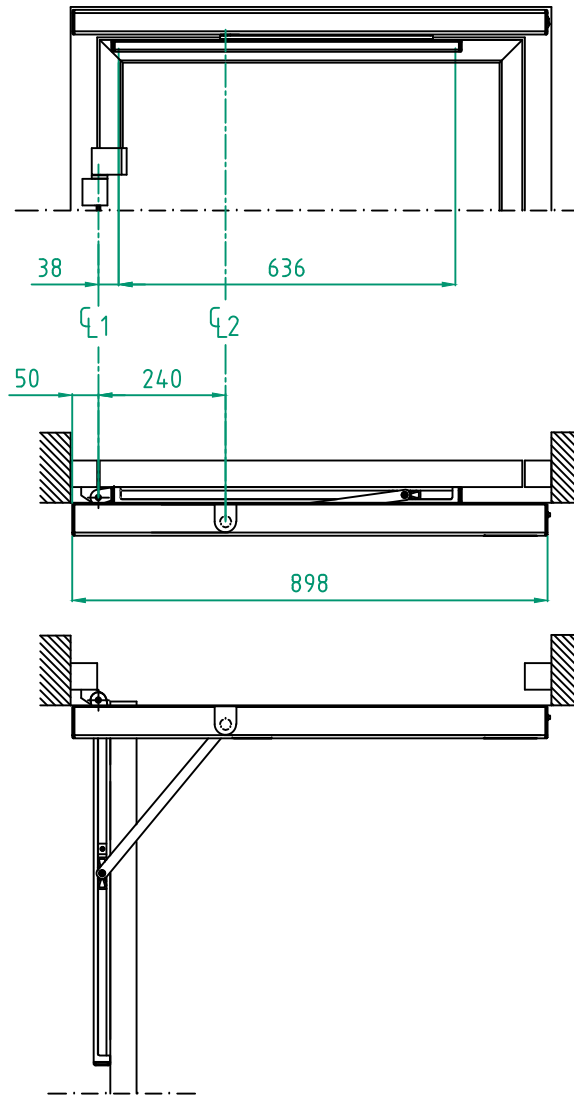


Shaft extension	Z
0	23mm
28mm	51mm
43mm	66mm



Surface treatment
Silver anodized

- ☐1 = Hinges
- ☐2 = Operator drive shaft
- A = Reveal 0mm to 51mm
- ① = Reinforcements required

Customer: _____

Door id: _____

Project No: _____

Ref: _____

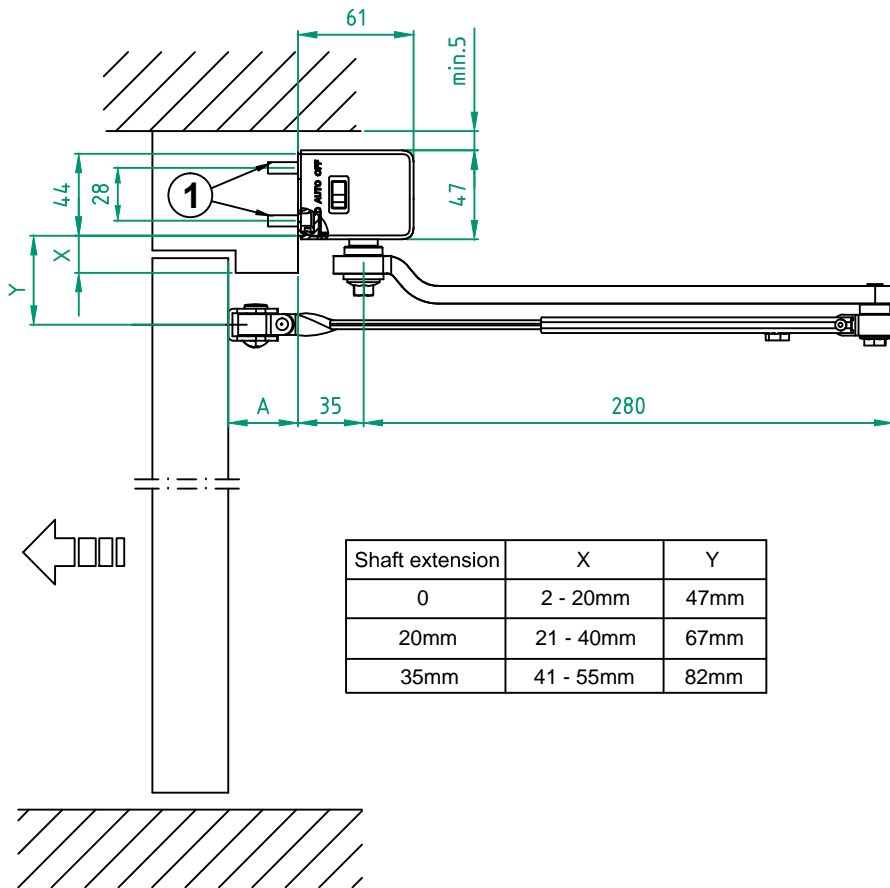
Date: _____

Sign: _____

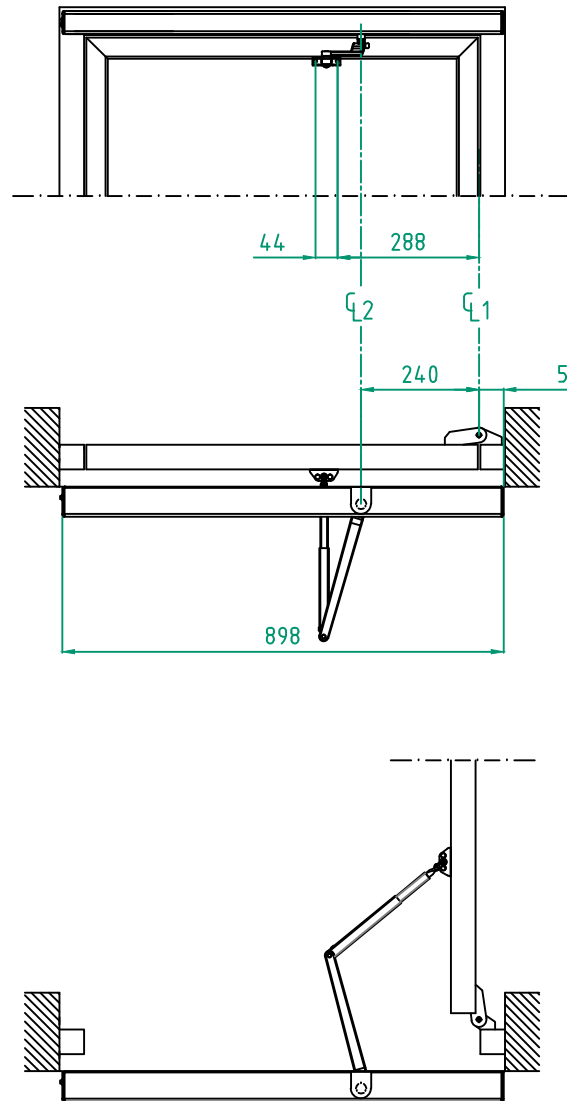
Swing door operator
ASSA ABLOY SW60
Art. No. 1023705
PULL, DIN left

ASSA ABLOY

2.0 1022234-en



Shaft extension	X	Y
0	2 - 20mm	47mm
20mm	21 - 40mm	67mm
35mm	41 - 55mm	82mm



Surface treatment
 Silver anodized

- C1 = Hinges
- C2 = Operator drive shaft
- A = Reveal 0mm to 130mm
- ① = Reinforcements required

Customer:

Ref:

Door id:

Date:

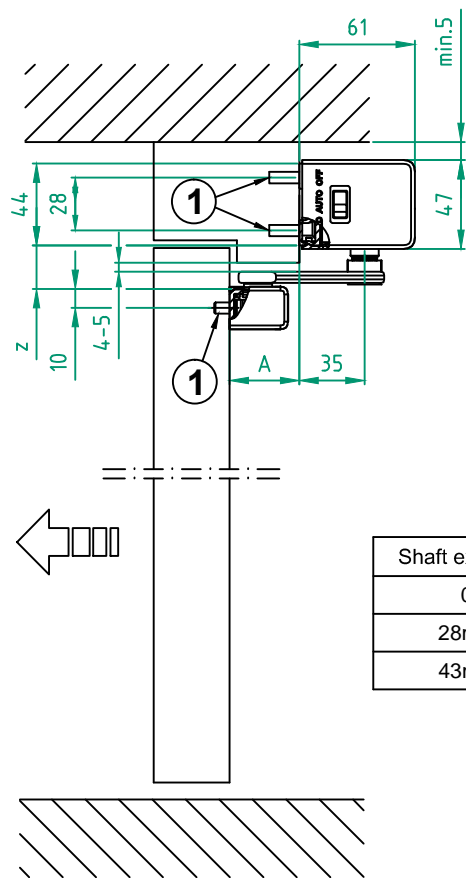
Project No:

Sign:

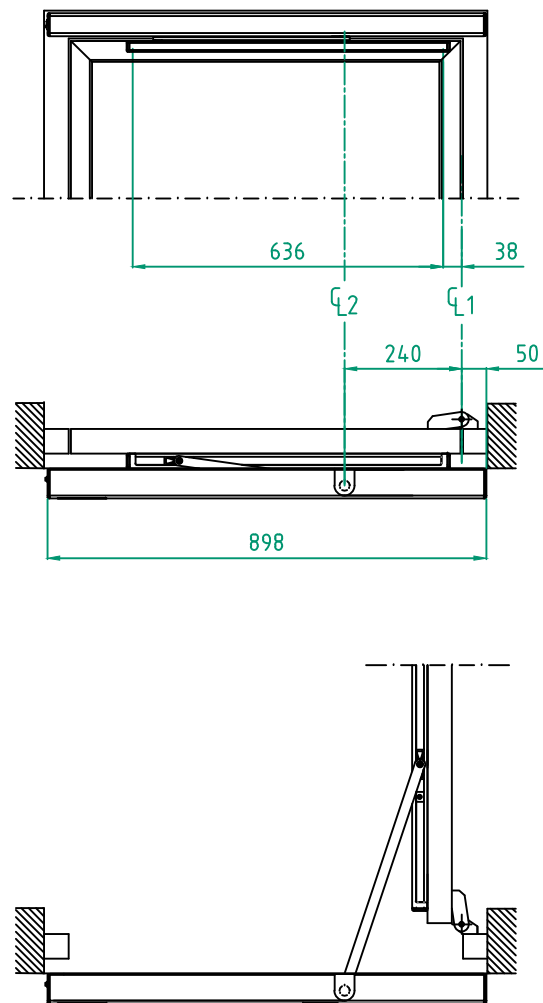
Swing door operator
 ASSA ABLOY SW60
 Art. No. 1023704
 PUSH, DIN left

ASSA ABLOY

2.0 1022234-en



Shaft extension	Z
0	23mm
28mm	51mm
43mm	66mm



Surface treatment
 Silver anodized

- ⊕ 1 = Hinges
- ⊕ 2 = Operator drive shaft
- A = Reveal 0mm to 51mm
- ① = Reinforcements required

Customer:

Ref:

Door id:

Date:

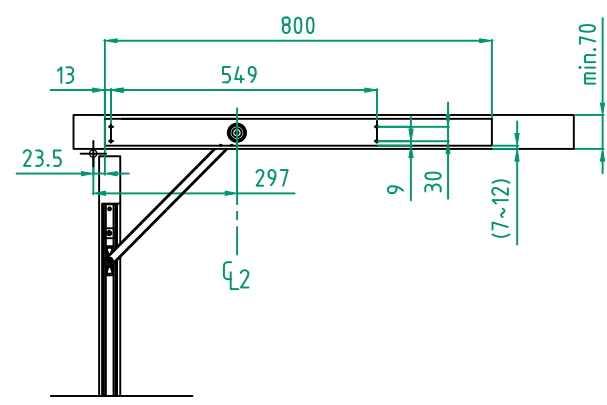
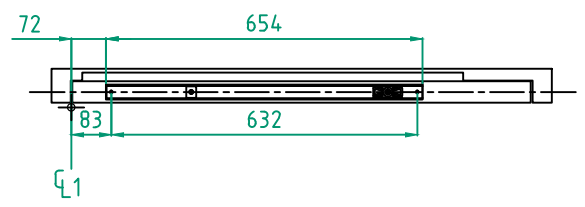
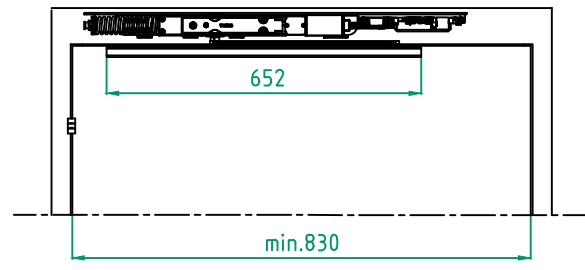
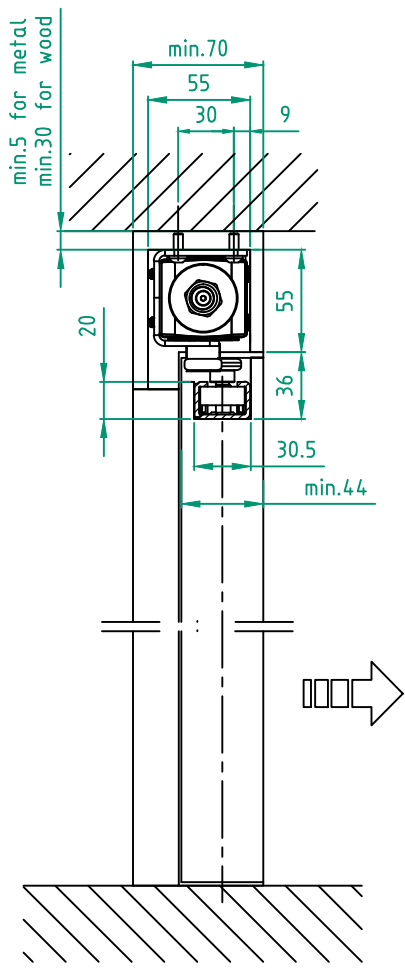
Project No:

Sign:

Swing door operator
 ASSA ABLOY SW60
 Art. No. 1023705
 Sliding PUSH, DIN left

ASSA ABLOY

2.0 1022234-en



Surface treatment
Silver anodized

- ☞ 1 = Hinges
- ☞ 2 = Operator drive shaft

© ASSA ABLOY Entrance Systems AB, 2022
Technical data subject to change without notice.

Customer: _____

Door id: _____

Project No: _____

Ref: _____

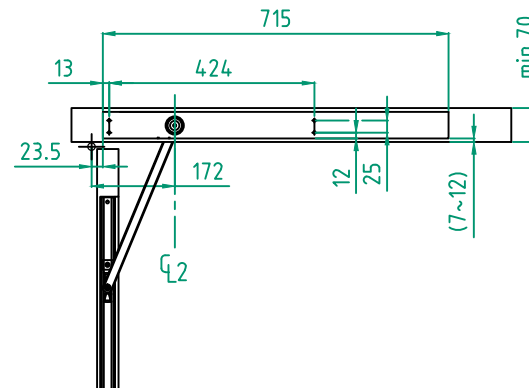
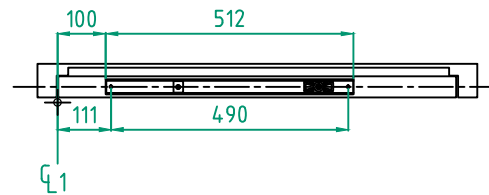
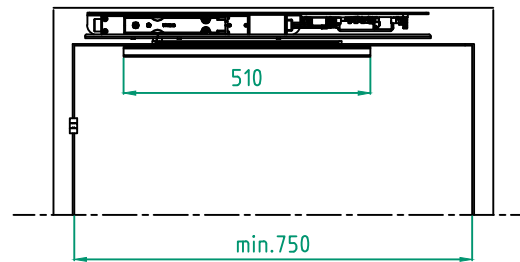
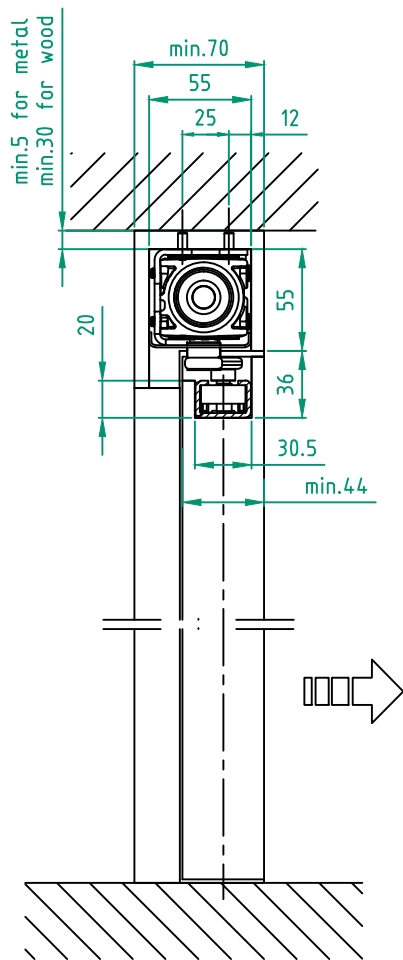
Date: _____

Sign: _____

Swing door operator
ASSA ABLOY SW60
Art. No. 1023703
Concealed with spring, DIN left

ASSA ABLOY

2.0 1022234-en



Surface treatment
Silver anodized

$\varnothing 1$ = Hinges

$\varnothing 2$ = Operator drive shaft

Customer:

Ref:

Door id:

Date:

Project No:

Sign:

Swing door operator
ASSA ABLOY SW60
Art. No. 1021759
Concealed without spring, DIN left

ASSA ABLOY

2.0 1022234-en